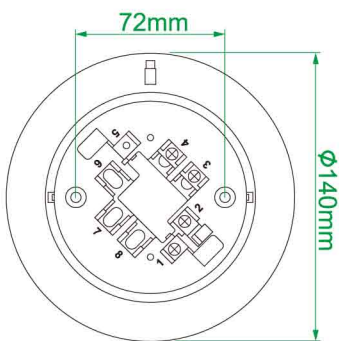


Implanted-Type Mounting Base



Design Characteristics

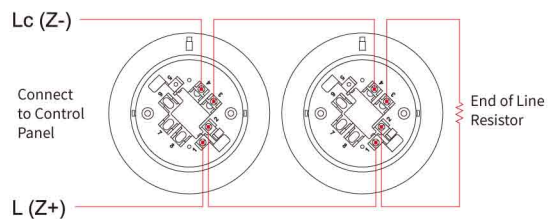
- This unique mounting base is set into the ceiling and it is designed to match a room's original decoration design and visual effect perfectly. Furthermore, it will make the entire decoration look even better.
- This base has an optional Power-off Warning feature to ensure that the system will operate normally.
- Applies to model nos. AH-9315, AHR-871, AH-9920 and AH-0014.



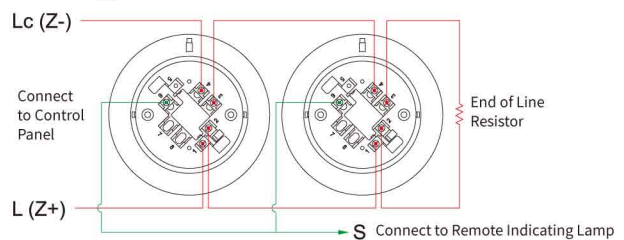
Order information

Model	Features, Application
AHMB-2	2-wire Apply to fire alarm control panel.
AHMB-3	3-wire Auxiliary for remote indicating lamp.
AHMB-4	4-wire 12~24VDC, optional one set of relay output. Apply to security system...etc.

2-Wire Type (Regular)



3-Wire Type (Signal Transfer)



4-Wire Type (Relay Output) Contact Ratings 0.8A @30V DC 0.4A @125V AC

