

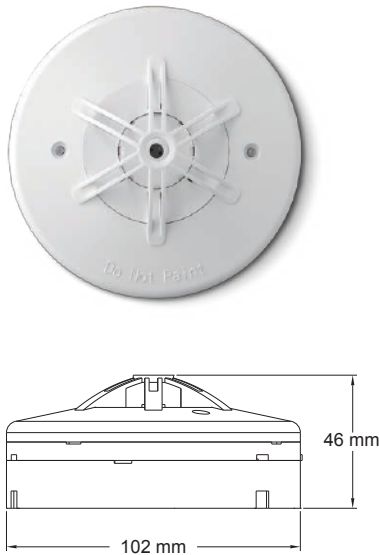
AH-0626

Heat Detector



Characteristics

- Microprocessor control makes heat detection more accuracy.
- Detector is made of high endurance, solid and colorfast Fire-proof plastic.
- Non-loosening screws on base terminal for easy installation.
- Features an accumulated water discharger to eliminate leakage of water from the water pipes or ceiling which may leak into the detector and cause a false alarm.
- Dual LEDs for 360-degree visibility.



Specifications

Model	AH-0626-2	AH-0626-3	AH-0626-4
Alarm Contact	N/A	N/A	0.8A @30V DC 0.4A @125V AC
Voltage Range	12 ~ 30V DC		
Alarm Current @24V DC 470Ω	40mA	40mA	45mA
Standby Current @24V DC 470Ω	70μA		
Thermal Setting	60°C		
Ambient Temperature	0°C ~ +37.8°C		
Material	Fire-proof plastic		
Dimensions	102mm(Dia.) x 46mm(H)		
Weight	120g	120g	130g
Color	White		

Effective alert area

Construction/Height	Under 4M	4M ~ 8M
Fire-proof Building	90 M ²	45 M ²
Ordinary Building	50 M ²	30 M ²

Order information

AH-0626-2	2-wire
AH-0626-3	3-wire with remote indicator output
AH-0626-4	4-wire with relay output

